

# Dennis Blacklaws Ltd

LOWER HUTT: 10 Laings Road, Lower Hutt, 5010, New Zealand  
Phone & Fax (04) 566-3668

Email: dennis.blacklaws@gemlink.co.nz Website : www.gemlink.co.nz

Resident Appraiser/Valuer: Dennis D. Blacklaws

Gems & Jewellery Specialist - Appraiser/Valuer - Graduate Gemologist



Appraisal prepared for  
Address

© Copyright 2021 All rights reserved  
Dennis Blacklaws Ltd

AppraisalPlus DBL06001

Ref No: 22078DB/LH24974



Date: 21 September, 2021

## ARTICLE

1. (Original) (New Zealand) (Retro) C1935-1945 "One-Off" Commission, with (12) species: (Pounamu Jade) genus: Nephrite synthesis: (Natural) type: (Greenstone) variety: (Kahurangi) (Kawakawa) object: (Rod) (Gemstone) phenomena: semi-translucent Opaque treatment: (Un-Enhanced) origin: New Zealand Alaska Asia Turkestan location: (South Island West Coast) (un-Known) with (10) Pearls species: (Pinctada Vulgaris) and/or (Pinctada Margaritifera) genus: (Natural) (Salt-Water) variety: (Half) shape: (Seed) phenomena: (Nacreous) (Iridescent) colour: (Natural-coloured) treatment: (Nil) brand: (un-Known) origin: Persian Gulf - Bahrain - Australia (World-Wide) location: (un-Known) with (5) species: Quartz variety: Madeira Citrine synthesis: (Natural) object: (faceted Gemstone) phenomena: semi-transparent semi-translucent treatment: (Enhanced) origin: North America Switzerland Africa Sri-Lanka Russia (Urals) location: (un-Known) and vintage - classical/traditional - and (single) style (Fob) with Component, Cast/Fabricated, Bespoke/Hand-Crafted,- with classical/traditional - vintage avant-garde with (Uniform) and (solid) style (Link) design (double) design (Pocket-Watch) style Albert.

Albert Metal composition analysed as 9ct Red Rosé gold alloy, and stamped with 9C and 9CT style hallmarks..

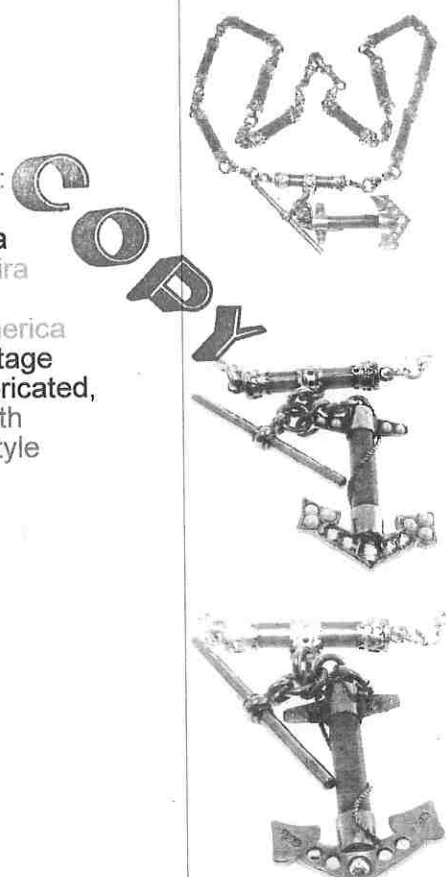
Albert presented with Red (Rosé) gold, and fitted with (single) and 'solid' and plain, and 'standard' and "Swivel" style "Clasp" type "device" and "Assembly" setting, hinge and 'attached' to 'either' end.

Albert presented and fitted with Red (Rosé) gold, with (11) separate and 'alternate' and "Rod/Tubular" shaped "Nephrite-Greenstone" cut-out and pierced, "in-situ" and "hand-carve" and "engrave" pattern, "Cap" design "Link" type "Assembly" settings, applied and placed to either and 'immediate' and 'end' and to centre of hinge and 'uniform' and 'Integrated' and 'articulated' and "Sequential" style "Links" and 'attached' along 'complete' and 'entire' length.

Albert presented and fitted with Red (Rosé) gold, with (12) x (4) separate and 'alternate' and (4) separate 'Round' and 'Oval' shaped, cut-out and pierced, "in-situ" and 'polish-finish' and with (12) separate 'Rope-Twist' and 'fine-wire' design central "Link" type "Assembly" settings, hinge and 'uniform' and 'Integrated' and 'articulated' and "Sequential" style "Links" and 'attached' along 'complete' and 'entire' length.

Albert presented and fitted with Red (Rosé) gold, with (1) (single) and separate and 'solid' and "T/Bar" design, (Drop) and 'suspended' design "Assembly" setting, hinge and 'attached' to centre presented with (2) (single) and separate "Ring" style "Assembly" settings to centre.

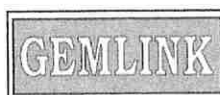
Albert presented with Red (Rosé) gold design "Fob" and stamped with 9C style hallmark and presented and fitted with cut-out and pierced, "in-situ" and (1) (single) and Ring shaped "Assembly" design, "shackle" to top, and presented with 38.00mm→ x 23.00mm← x 6.24mm↓ dimension (Drop) and 'suspended' and "Anchor" shaped "Assembly" setting.



ITEM 1. CONTINUED .../

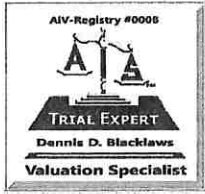
CONTINUED ...//

3/8



Dennis D. Blacklaws

This Appraisal has been prepared in conformity with accepted professional ethics of Appraisers International Society™ (USA) & The Jewellery Appraisers Society of N.Z. Inc.



# Dennis Blacklaws Ltd

LOWER HUTT: 10 Laings Road, Lower Hutt, 5010, New Zealand  
Phone & Fax (04) 566-3668

Email: dennis.blacklaws@gemlink.co.nz Website : www.gemlink.co.nz

Resident Appraiser/Valuer: Dennis D. Blacklaws

Gems & Jewellery Specialist - Appraiser/Valuer - Graduate Gemologist



Appraisal prepared for  
Address



AppraisalPlus DBL06001

Ref No: 22078DB/LH24974

© Copyright 2021 All rights reserved  
Dennis Blacklaws Ltd

Date: 21 September, 2021

## ARTICLE

### ITEM 1. CONTINUED .../

"Fob" presented and fitted with Red (Rosé) gold with cut-out and pierced, "in-situ" with **wrap-around** and **fine** and **Rope-Twist-Wire** and **applied** and **placed to centre**, and presented with (2) x (2) and (2) x (3) separate **half-Pearls** and presented with (5) (single) and separate **Citrines**, with low bead Pavé cut-out and pierced, "in-situ" and **applied** and **placed to 'Strip'** and **pierced-back** and **Assembly** settings and **applied** and **placed** to top of **'suspended'** design setting.

Drop Nephrite Greenstones; modified, and "Rod/Tubular" shaped cut;

11 x est 28.00-23.00mmØ x 5.14-4.24mm †

Est by Formula 11 x est 16.865-11.385ct

(11) (single) (Natural) Nephrite (Greenstones) presenting (vivid) very slightly Bluish/Greenish Hue translucent - semi/translucent (DK) Translucency with Tone (4) (FM) Fine/Medium with Texture (3-4) Minute inclusions.

#### GIA GemSet® colour Analysis

(11) (single) and (Natural) Nephrite (Greenstone) presenting minor - noticeable *Nick/Cavities* with minor *abraded* and *Dull* surface *polish*, presented with *Actinolite*, *Hornblende*, *Tremolite* and *Oxide* and mineral and *Positive* and *Negative* type *Crystallites* with a number of *internal healing-fracture* type inclusion *scenes*, applying (oblique lighting) and (immersion microscopy) technique, presented in mounts.

It is an internationally recognised *trade* practice to treat gems of this variety by various methods to enhance the colour and/or clarity, applying *Microscopy* technique indicates Nil evidence of (enhancement) in this/these gem/s, some maybe assumed. Extent: Nil Stability: **Stable** under normal wearing conditions. Prevalence: **Never/Rarely/Commonly**

**N.B. Statement/s of "Geographical Origin"** included within this Appraisal are submitted by 'expert-opinion' including **accumulative** and **analytical** "Observations" and "Data" and the **experience** of the practitioner.

Drop Citrines; modified, and "Round" shaped, (mixed) cut;

5 x est 3.64-2.87mmØ x 2.42-1.63mm †

Est by Formula 5 x est 0.165-0.087ct

(5) (single) and (Natural) Citrines' presenting semi-translucent/transparent /opaque (vivid) slightly Yellowish/Orange - Orange/Yellowish Hue, with Tone (8) with Saturation (4) and Clarity (VS).

#### GIA GemSet® colour Analysis

(5) (single) and (Natural) Citrines' presenting Good *symmetry* and *proportions*, with *Colour Banding* and *Colour Zoning* and noticeable *Window effect*, and presenting High surface *polish*, and presenting *Brazil-Twinning effect* under *crossed-Nicol prisms* (Polariscope) type inclusion *scenes*, applying (oblique lighting) and (immersion microscopy) technique, presented in mounts.

ITEM 1. CONTINUED .../

COPY



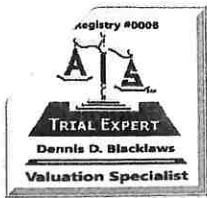
CONTINUED ...//

4/8



*Dennis D. Blacklaws*  
Dennis D. Blacklaws

This Appraisal has been prepared in conformity with accepted professional ethics of Appraisers International Society™ (USA) & The Jewellery Appraisers Society of N.Z. Inc.



# Dennis Blacklaws Ltd

LOWER HUTT: 10 Laings Road, Lower Hutt, 5010, New Zealand  
Phone & Fax (04) 566-3688

Email: dennis.blacklaws@gemlink.co.nz Website : www.gemlink.co.nz

Resident Appraiser/Valuer: Dennis D. Blacklaws

Gems & Jewellery Specialist - Appraiser/Valuer - Graduate Gemologist



Appraisal prepared for  
Address

© Copyright 2021 All rights reserved  
Dennis Blacklaws Ltd

AppraisalPlus DBL06001

Ref No: 22078DB/LH24974

Date: 21 September, 2021

## ARTICLE

### ITEM 1. CONTINUED .../

Drop Citrines, modified, and "Round" shaped, (mixed) cut; .... CONTINUED .../

With the mass production of synthetic twinned Citrine, we are unable to distinguish if natural or of synthetic origin unless natural inclusions are microscopic visible. Laser tomography is currently the most definite method of determination and is unavailable in N.Z. For the purposes of this appraisal Natural origin is assumed.

N.B. Statement/s of "Geographical Origin" included within this Appraisal are submitted by 'expert-opinion' including accumulative and analytical "Observations" and "Data" and the experience of the practitioner.

### Pendant Pearls:

11 x est 1.92-2.49mmØ x 0.84-1.48mm↑

"Natural" and (non-drilled) and (Seed) and (semi-Round) type Pearls; presenting 'Out of Round' and shape, with White - Crème/White and Body type colour, presented with Rosé/Silver - Greyish/Greenish Rosé/Silver/Greyish/Greenish surface over-tone, presented under (incandescent) light.

"Natural" and (non-drilled) and (Seed) and (semi-Round) type Pearls; presenting medium - high surface Lustre and surface Orient, with minor - slight noticeable surface blemishes, presenting slight semi-translucent and 'degree of translucency' presented under (incandescent) light.

COPY



N.B. Direct X-Ray radiograph-examination required to identify Nacre thickness and to identify if of "Natural" or "Fresh-Water - Tissue Grafted" and/or "Akoya" origin. For the purposes of this appraisal all (Button) and "Seed" type (Pearls) appraised as "Natural" origin.

It is an internationally accepted trade practice to treat Pearls, including Pearls of this variety, to enhance the Lustre, using traditional methods, i.e. polishing - although evidence of treatment is not immediately apparent in these Pearls. As present testing methods, as used by this Laboratory, may not detect the type of treatment applied, some may be assumed. This appraisal has been prepared ONLY on the basis that traditional Methods have been applied.

"Links" dimensions; 11 x est 24.94-25.20mm← x 7.19-6.11mm↑  
"Round" "Link" dimensions; 41 x est 6.14-5.72mmØ x 1.14-1.16mm↑  
"T/Bar" "Link" dimensions; 1 x est 36.00mm← x 2.34mmØ x 4.91mmØ  
"Clasp" "Swivel" dimensions; 2 x est 19.15mm← x 6.75mm→ x 5.94mmØ x 2.75mm↑

Albert of (22.0½") length.

Albert Complete Total Weight (49.20grams) with Total Metal Weight (17.80grams).  
Albert links presenting noticeable-wear to joining Links  
Fob presenting Safe condition and general overall surface wear. Photographs (X2/1.).

R.M.V.N. \$7,870.00

I.M.V. \$6,010.00

### Appraisal No 24974 Economic Factors for item(s) 1 - 1

Total Value R.M.V.N. N.Z. \$7,870.00  
I.M.V. N.Z. \$6,010.00

N.Z. SEVEN THOUSAND EIGHT HUNDRED AND SEVENTY DOLLARS ONLY.

N.B. Exchange Rate U.S. \$...0.6918 Gold per oz U.S. \$...1765 Platinum per oz U.S. \$915

Item No 1. for (courtesy) "WIKIPEDIA" REFERENCES CONTINUED .../

CONTINUED ...//

5/8



Dennis D. Blacklaws

This Appraisal has been prepared in conformity with accepted professional ethics of Appraisers International Society™ (USA) & The Jewellery Appraisers Society of N.Z. Inc.